

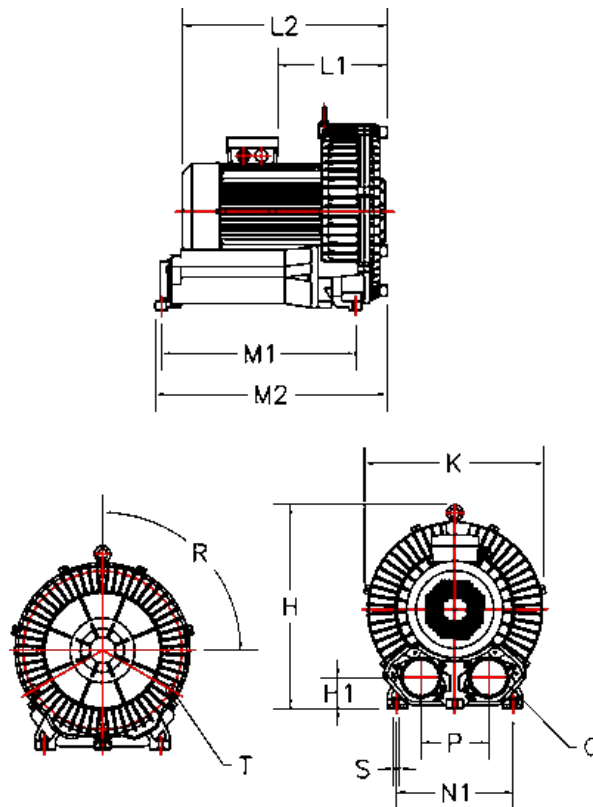
Data Sheet



Article number: 276103290901

Description: KLEEblower KB329L 0,9/1,1 kW
3x230/400V 50/60Hz Single stage

Measures



H = 301	N1 = 225
H1 = 45	Noise level dB 50/60Hz = 63/64
K = 285	P = 115
L1 = 111	Q = 2-PF 1 1/2" (NPT 1 1/2")
L2 = 264	R (degrees) = 3x120
M1 = 90	S = 4 x Ø12
M2 = 265	T = 3 - M6X1 - 15 dyb
N = 257	